

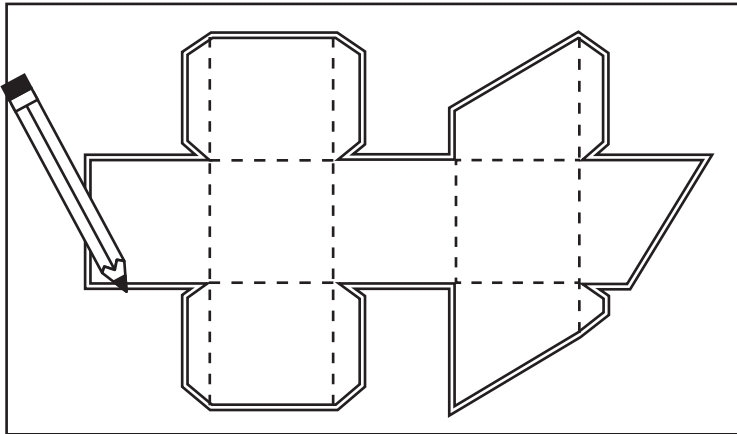


SELF-CLOSING BOX

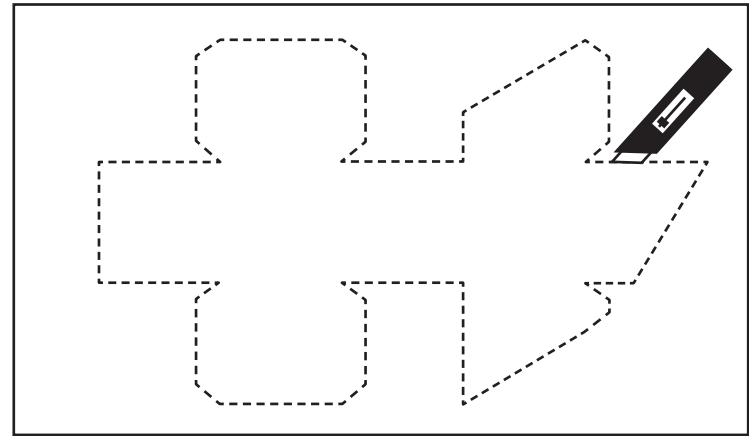
MATERIALS:

- A shoe box
- Tracing wheel
- Box cutter or scissors
- Template
- Hot glue
- Pencil

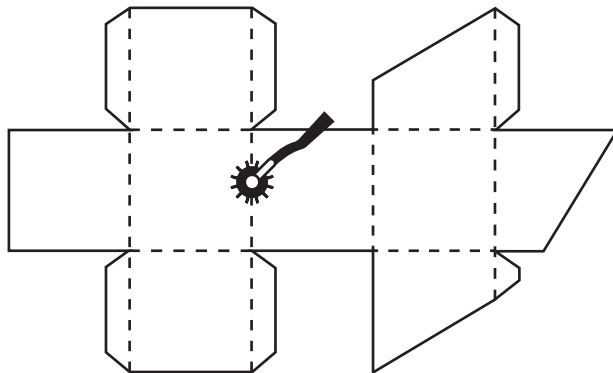
1. Trace the template on the box. Try to align the dotted fold lines with the box's folds, or avoid completely.



2. Cut the shape using a box cutter.

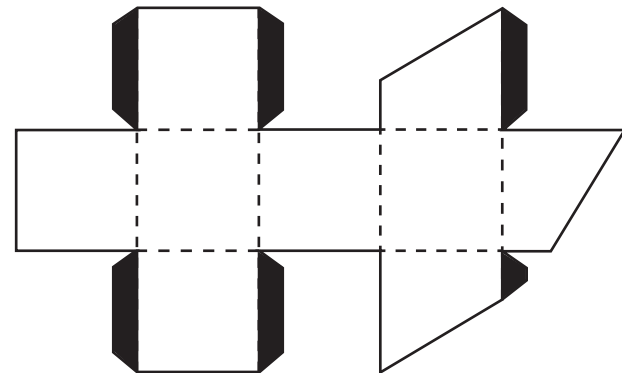


3. Use a box cutter or tracing wheel to perforate fold lines.



Pro tip: if you don't have a tracing wheel, use a fork or a butter knife

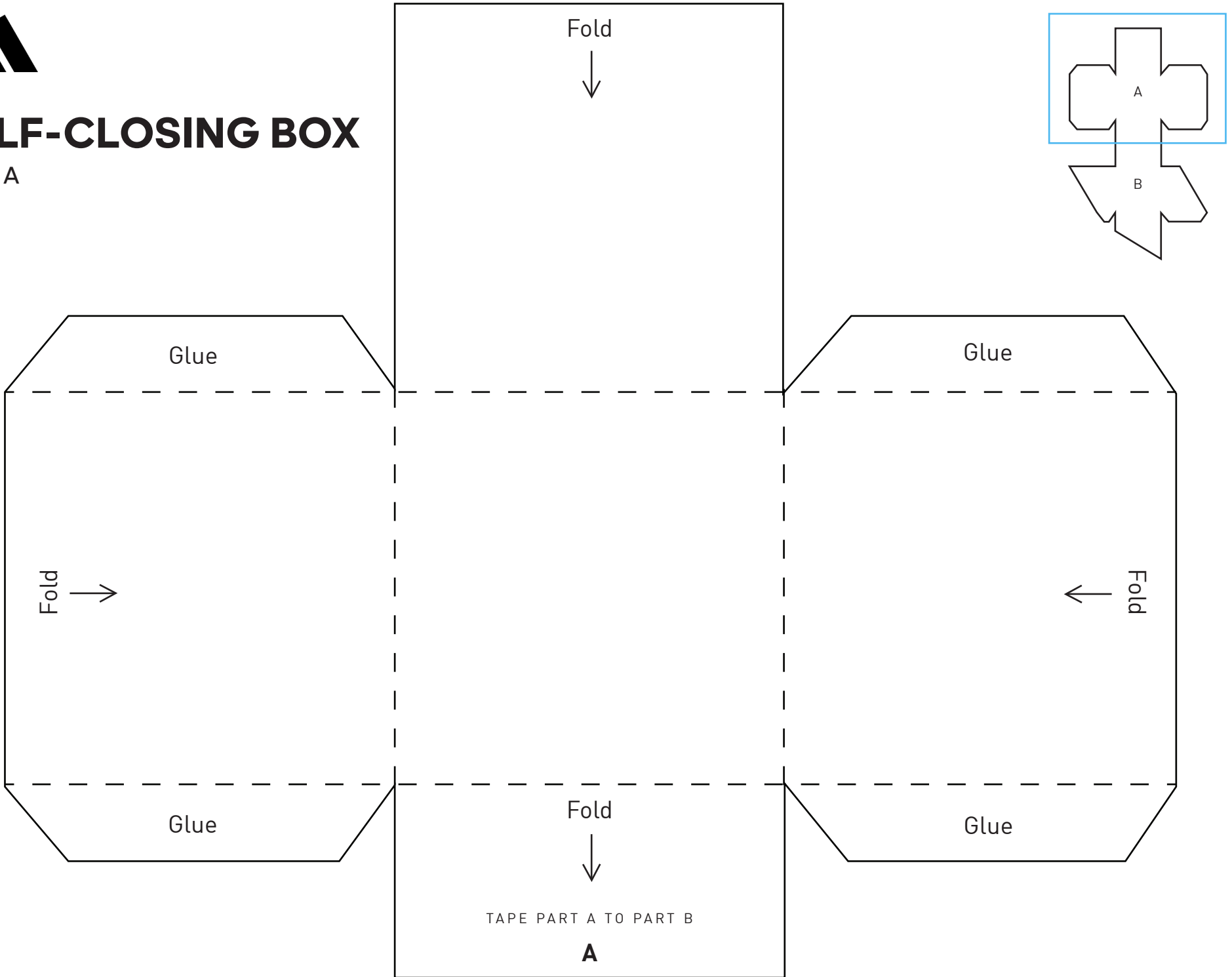
4. Fold box and glue the indicated pieces.





SELF-CLOSING BOX

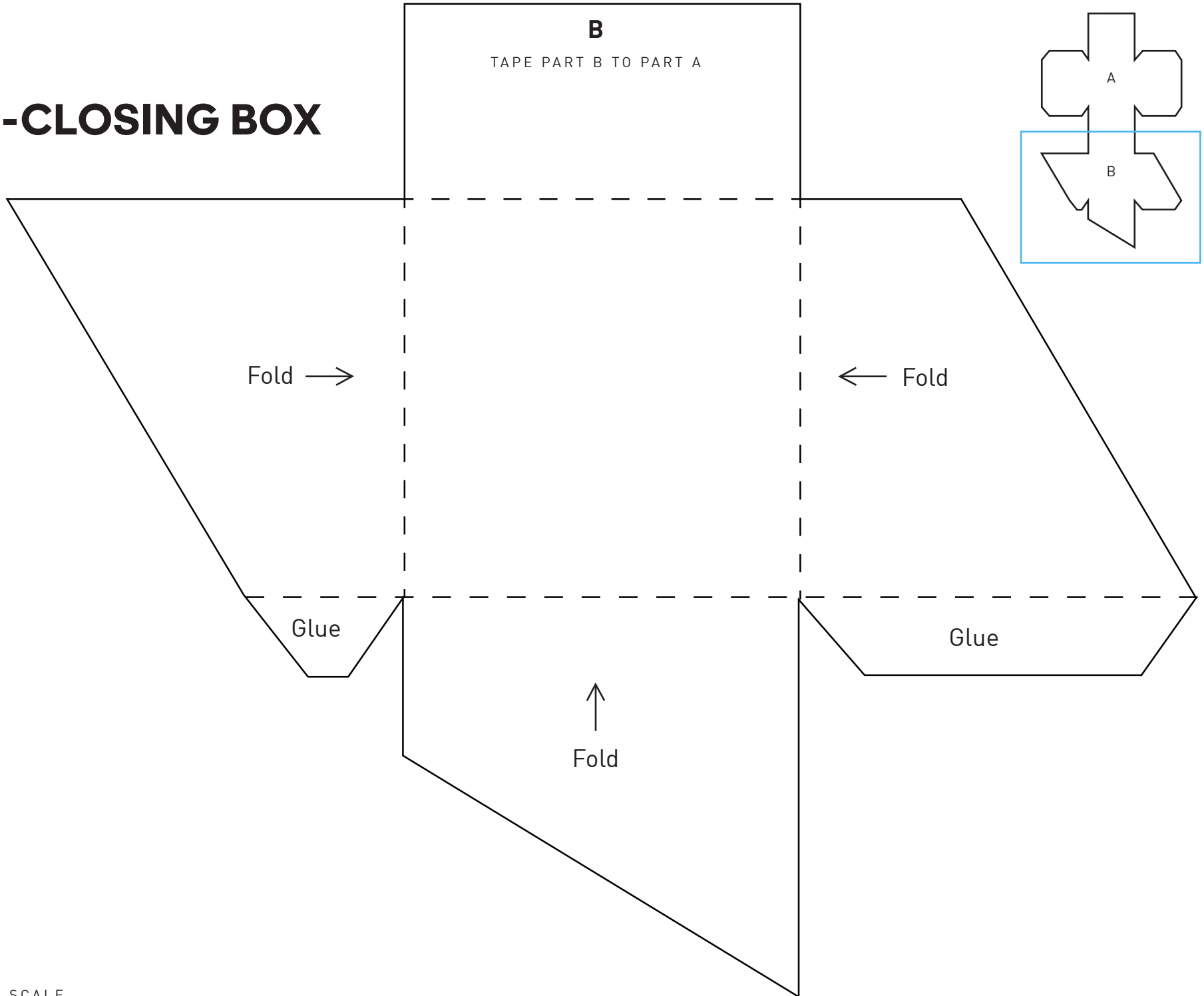
PART A





SELF-CLOSING BOX

PART B





SMALL SELF-CLOSING BOX

