

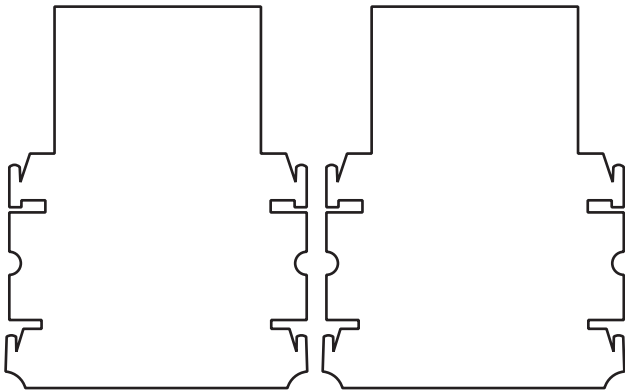


TRIANGLE PURSE

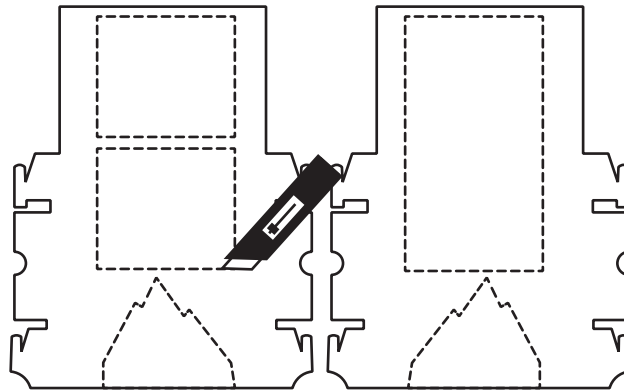
MATERIALS:

- Two shoe boxes
- Template
- Pencil
- Straight edge
- Box cutter or scissors
- Tape
- Tracing wheel
- Hot glue
- Awl
- Rings
- Strap

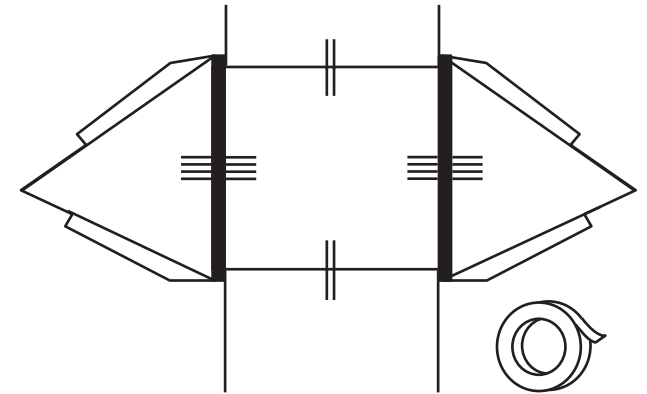
1. Open the shoe boxes so they're flat.



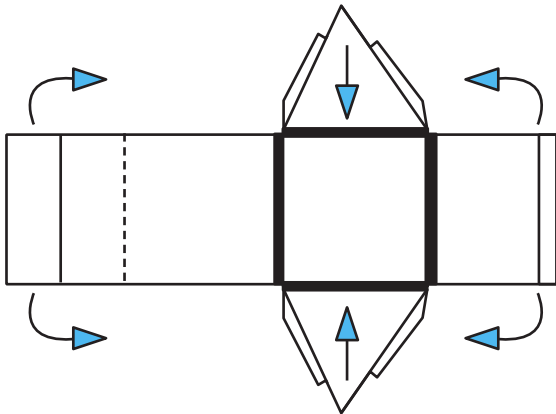
2. Trace the templates and cut out the shapes.



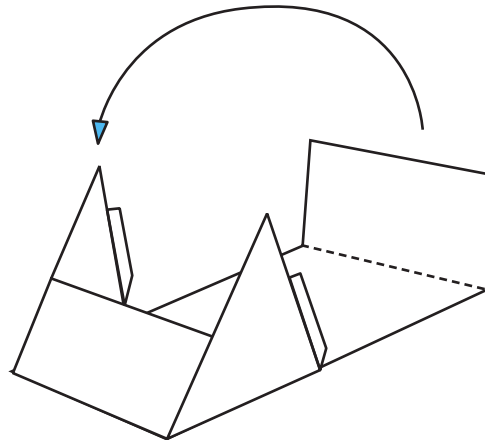
3. Align all pattern pieces and assemble with tape.



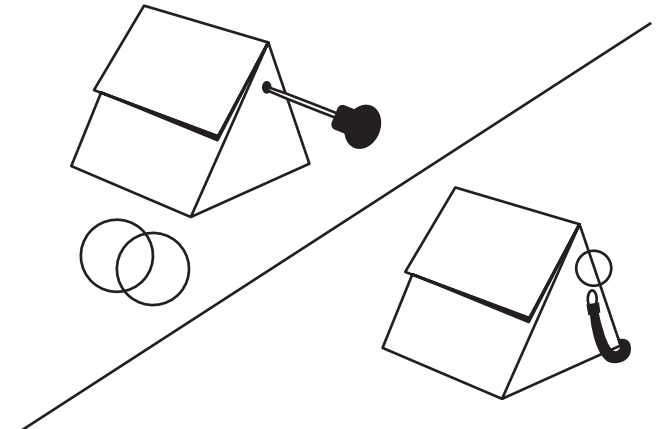
4. Place glue on the tabs and secure the front flap. Secure on the inside with tape.



5. Bring front flap up and glue to tabs.



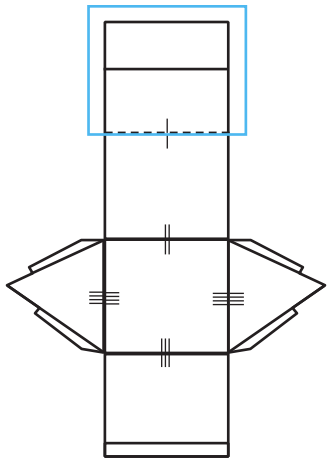
6. Poke holes in the side panels and add the rings. Sew the strap and attach it to the rings.





TRIANGLE PURSE

PIECE 1, A



Fold and glue



FRONT FLAP

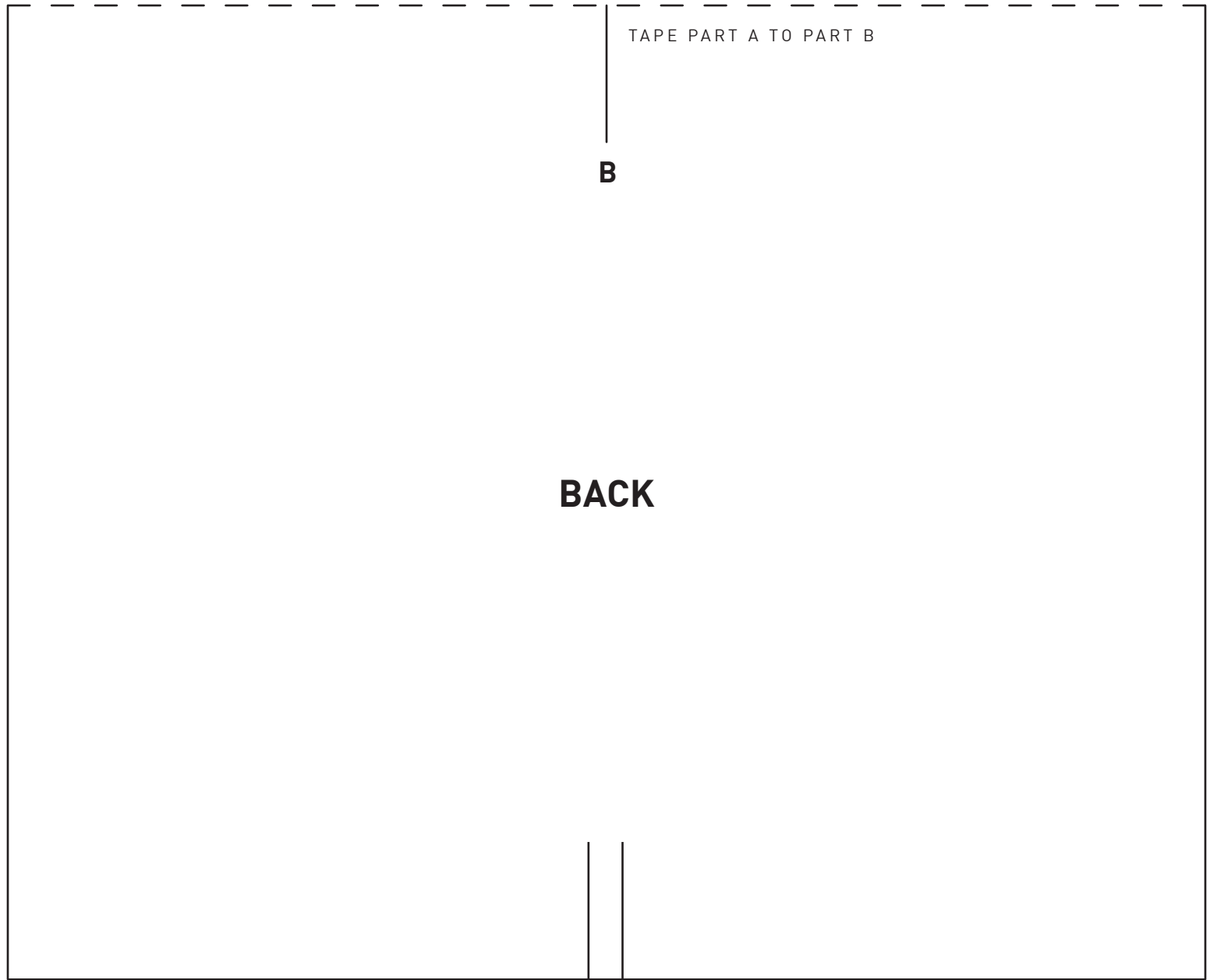
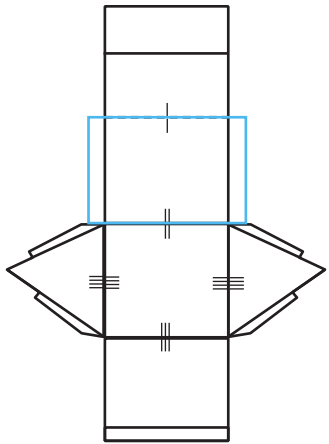
A

TAPE PART A TO PART B



TRIANGLE PURSE

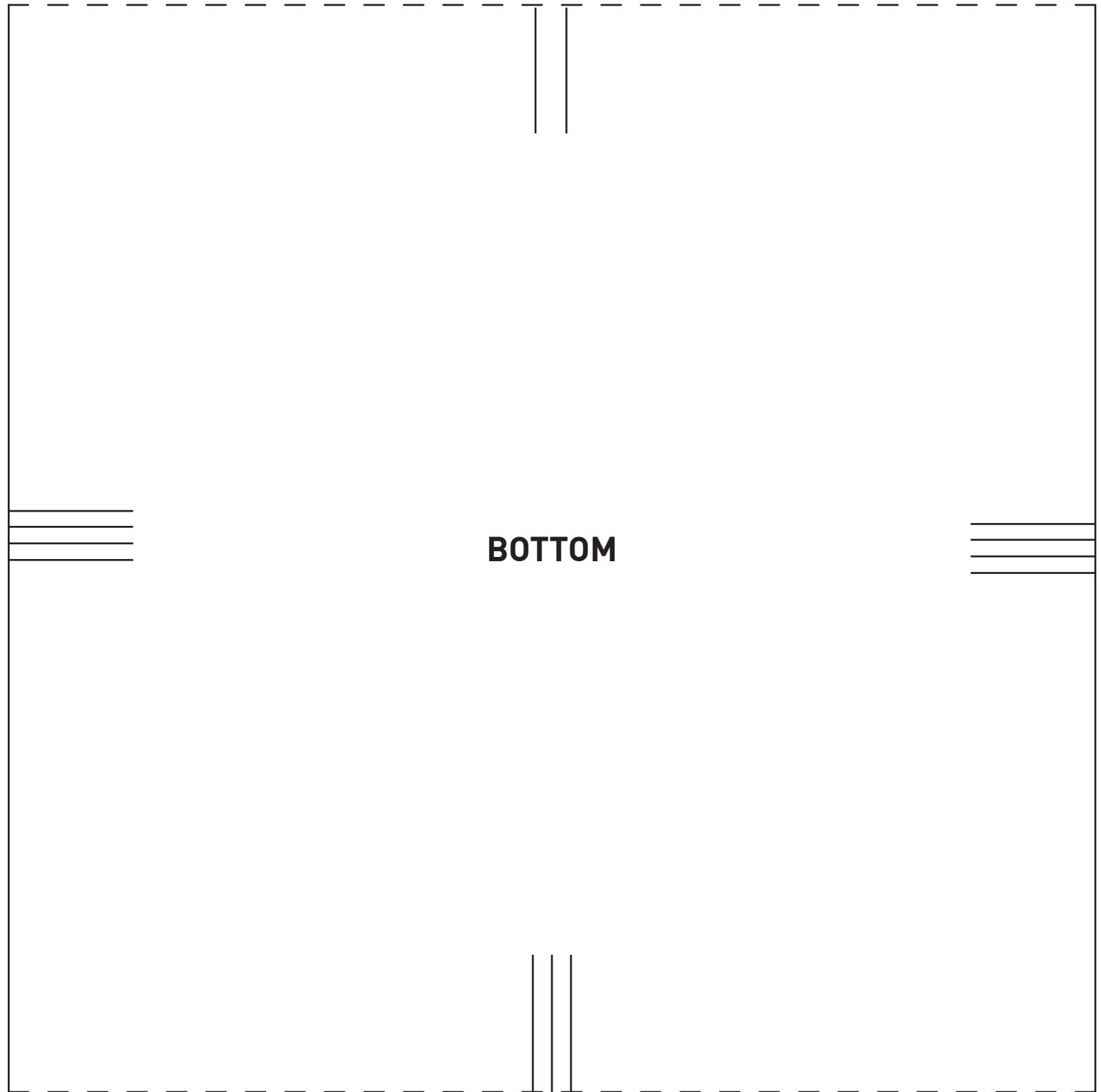
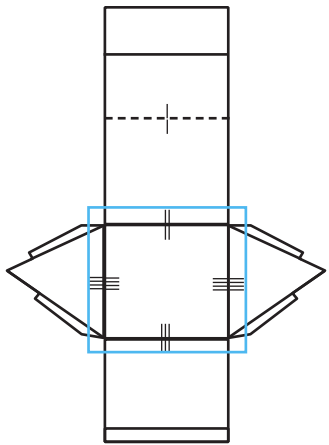
PIECE 1, B





TRIANGLE PURSE

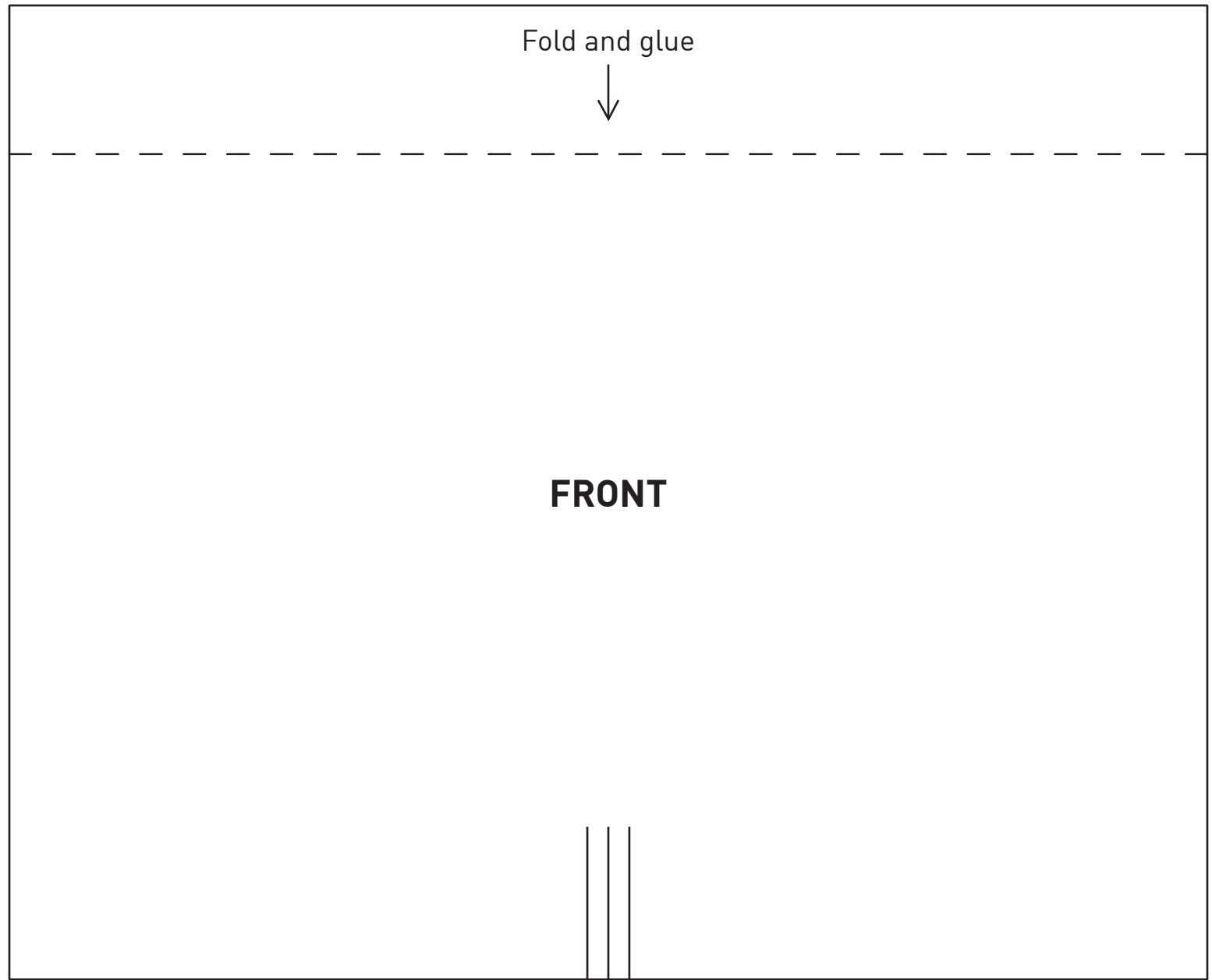
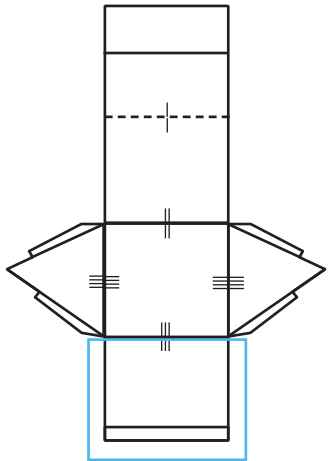
PIECE 2





TRIANGLE PURSE

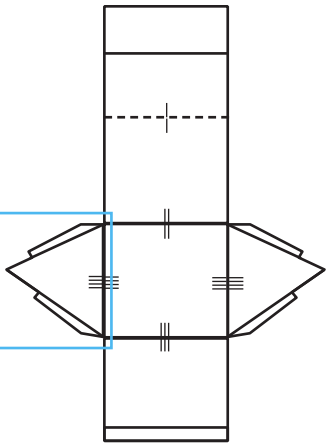
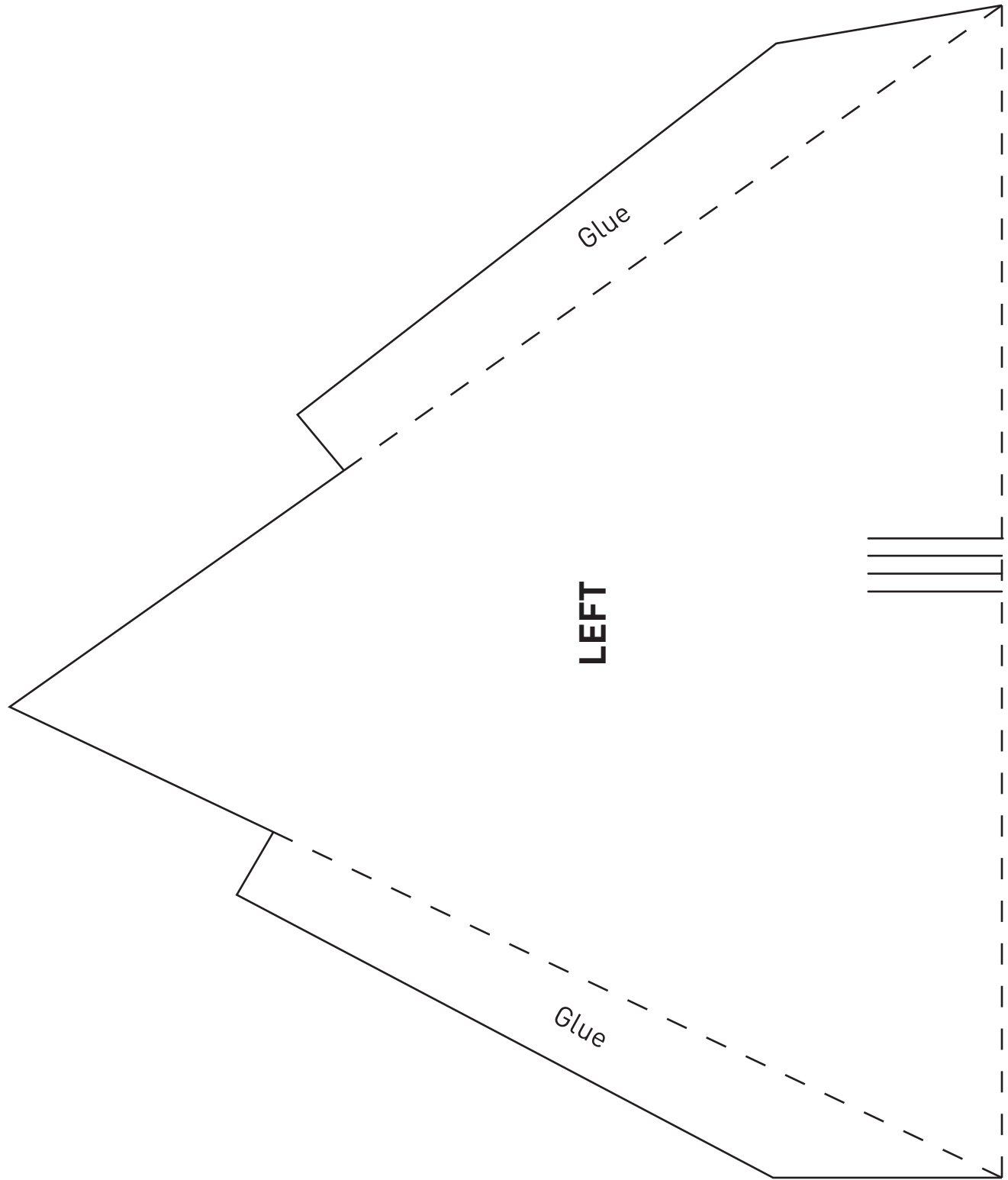
PIECE 3





TRIANGLE PURSE

PIECE 4





TRIANGLE PURSE

PIECE 5

